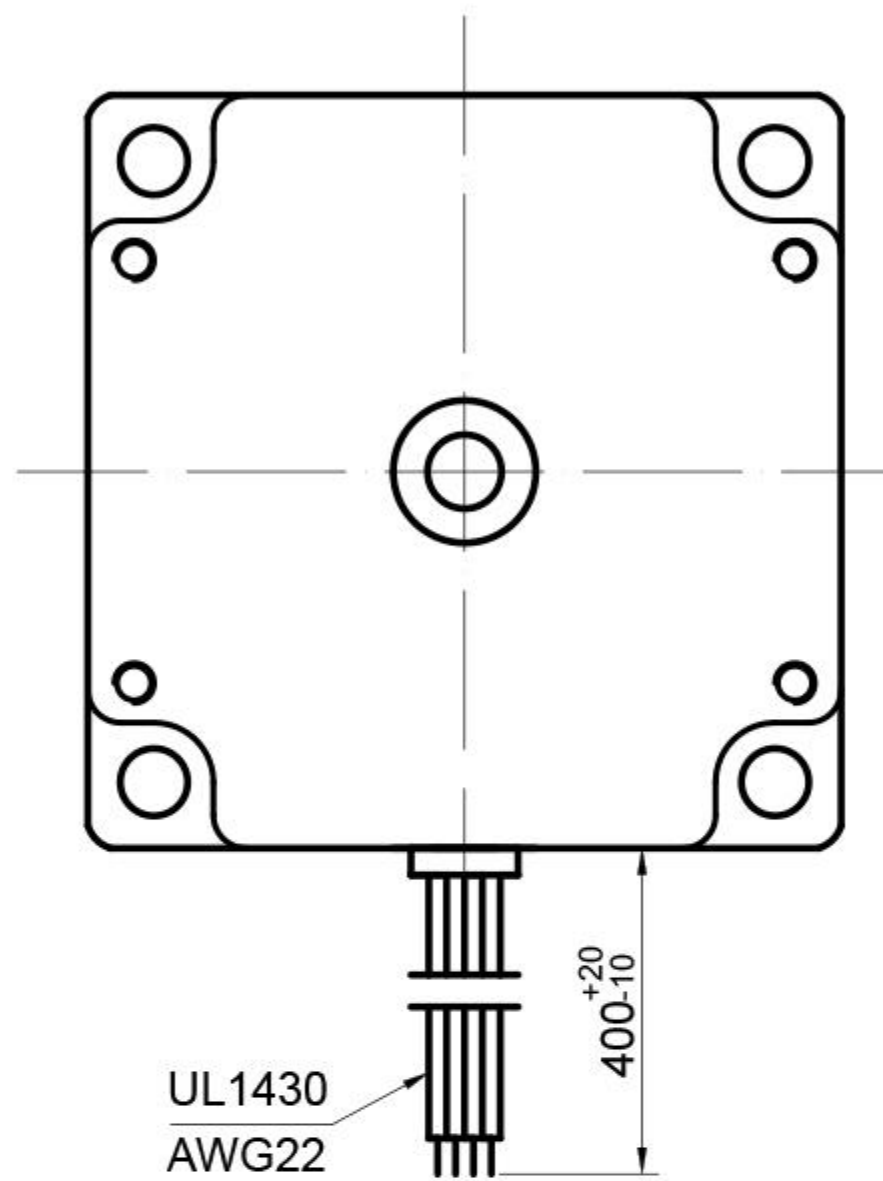
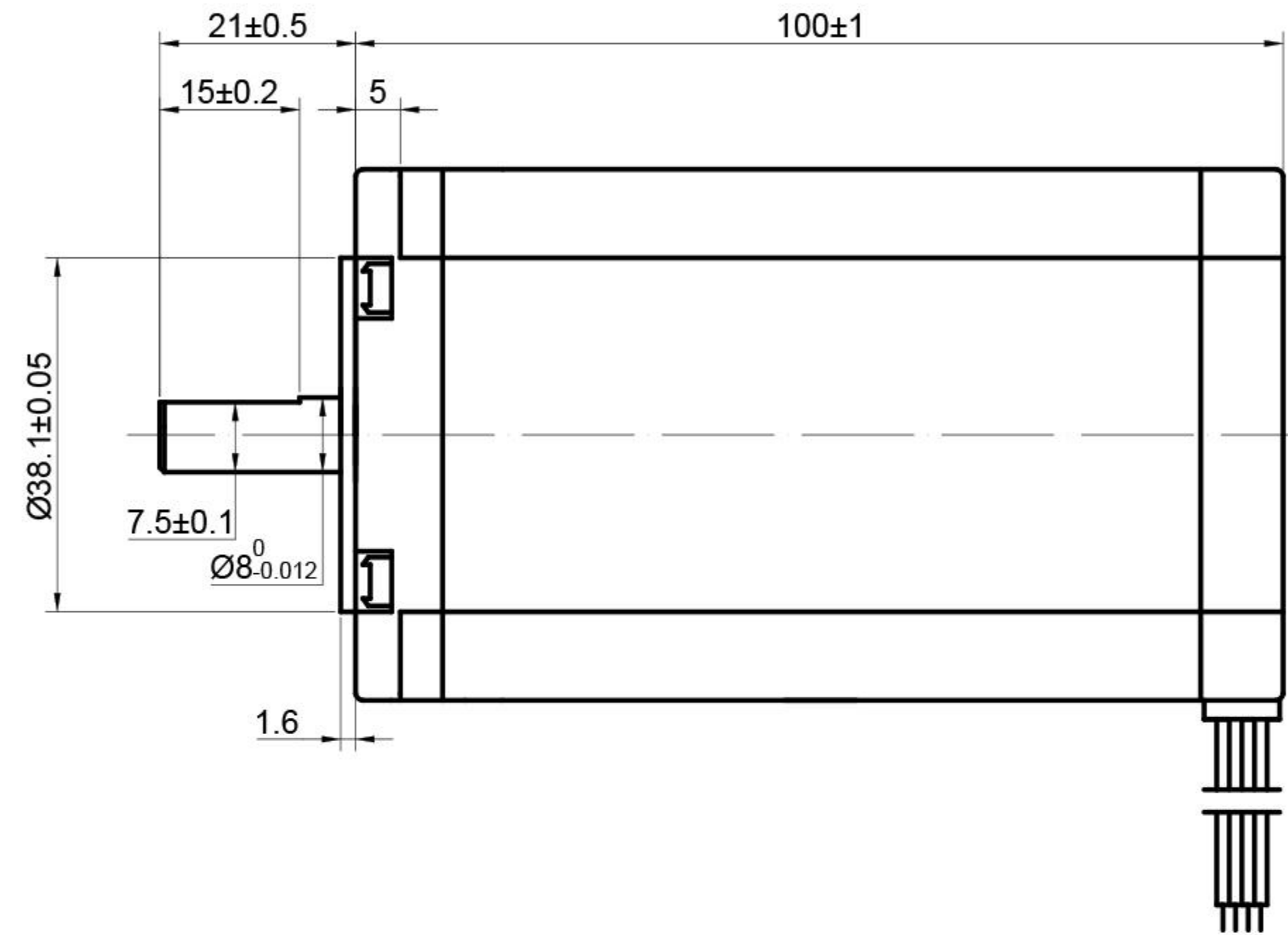
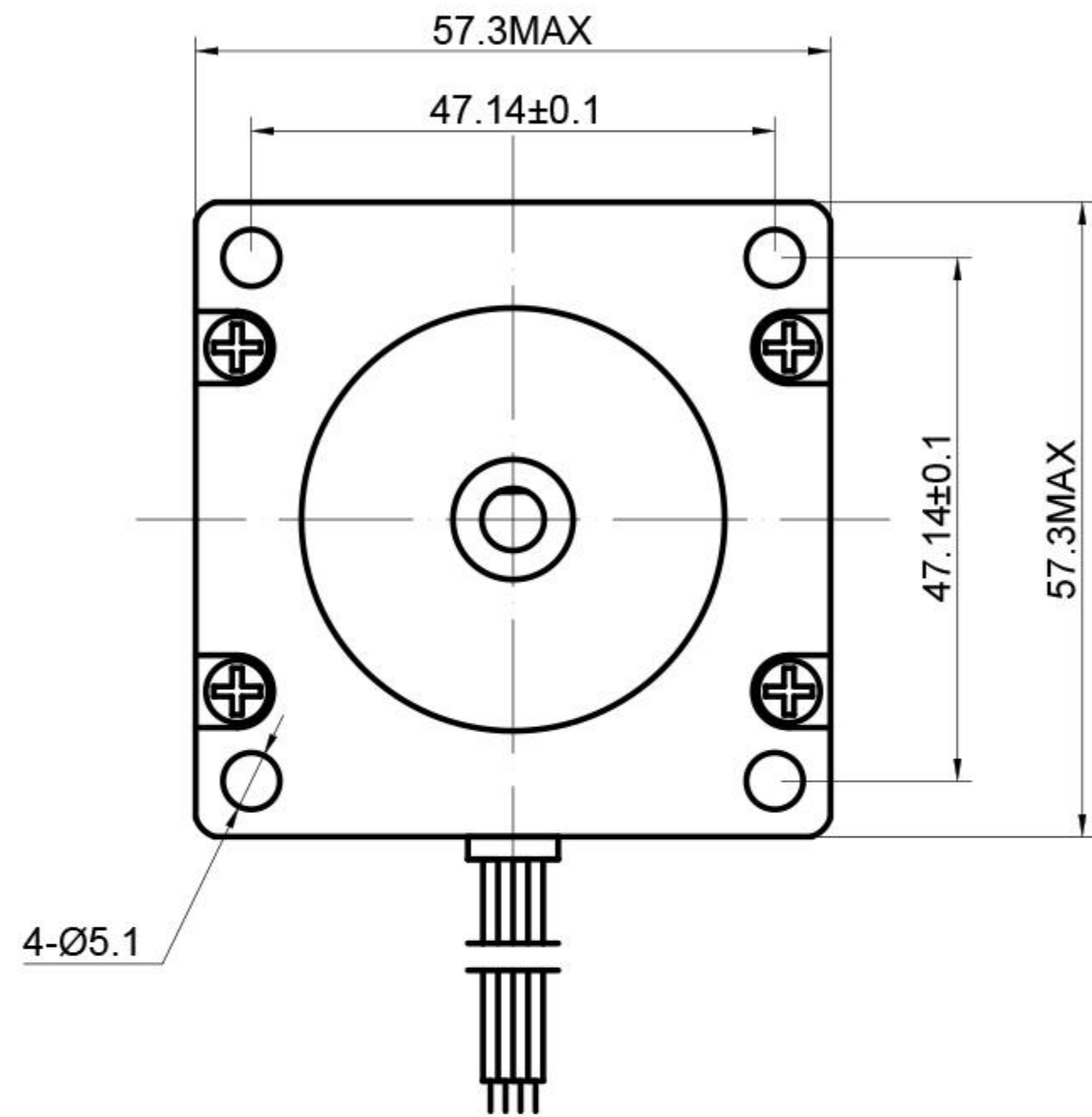


REV.	REVISION RECORD	BY	DATE
0	ORIGIN	YSX	12.9.2024

CUSTOMER'S MODEL: NO MODEL
 END COVER COLOR: BLACK



CONNECTION	BIPOLAR
SPECIFICATION	BIPOLAR
AMPS/PHASE	5.00
RESISTANCE/PHASE(Ohms)@25°C	0.6±10%
INDUCTANCE/PHASE(mH)@1KHz	2.8±20%
HOLDING TORQUE(Nm)[lb-in]	3.00[26.55]
STEP ANGLE(°)	1.80
STEP ACCURACY(NON-ACCUM)	±5.00%
ROTOR INERTIA(g-cm ²)	—
WEIGHT(Kg)[lb]	—
AMBIENT TEMPERATURE	-10°C~50°C[14°F~122°F]
INSULATION CLASS	B 130°C[266°F]
TEMPERATURE RISE	MAX.80°C

COMMENT:
 1.TMBF 6000h OR MORE @ 24V/300RPM
 2.INSULATION RESISTANCE
 (NORMAL TEMPERATURE AND HUMIDITY): 100 Mohm
 3.DIELECTRIC STRENGTH 500VAC FOR
 1MIN.(BETWEEN THE MOTOR COILS AND THE MOTOR
 CASE)

MOTOR CONNECTION			
PIN NO	BIPOLAR	LEADS	WINDING
1	A+	BLK	
2	A-	GRN	
3	B+	RED	
4	B-	BLU	

FULL STEP 2 PHASE-Ex.,WHEN FACING MOUNTING END (X)						CCW ↑	CW ↓	DIMENSIONS ARE IN MILLIMETERS. TOLERANCES AS BELOW: DECIMALS ANGLES X ±0.5 ±2° X.X ±0.25 X.XX ±0.13	THIRD ANGLE PROJECTION
STEP	A+	B+	A-	B-					
1	+	+	-	-					
2	-	+	+	-					
3	-	-	+	+					
4	+	-	-	+					

STEPMOTECTM

STEPPER MOTOR

23HB39-5004S_Full

REV.	0	SCALE	1:1	DWG NO.	A3975
------	---	-------	-----	---------	-------

SIGNATURE		DATE
DRN	YSX	12.9.2024
APVD	MYX	12.9.2024

THIS DOCUMENT SHALL NOT BE REPRODUCED NOR SHALL THE INFORMATION CONTAINED HEREIN BE USED BY OR DISCLOSED TO OTHERS UNLESS EXPRESSLY AUTHORIZED IN BY WRITING STEPPERONLINE.